

PL



SSL High Power



Front Loader

SELF-LEVELLING STABILIZERS

PL 60.25 | PL 100.25

Simex PL self-levelling road stabilizers are designed to perform ground stabilization and consolidation. Thanks to the exclusive self-levelling system, milling depth is always constant in any condition. Available with transverse tilt, side shift, independent depth adjustment on the right or left.

WATCH THE VIDEO

Scan the QR code using your smartphone



INDEPENDENT HYDRAULIC RH-LH DEPTH ADJUSTMENT

HYDRAULIC TILT ADJUSTMENT.

WORKING DEPTH UP TO 250 MM.

Excellent for consolidating sub-layers and ideal for mixing material with lime or cement.

PERFORMER

Performer (Simex patented): allows the operator to optimize the equipment's performance according to the forward speed of the operating machine.

SELF-LEVELLING SYSTEM: CONSTANT PLANING DEPTH, ALWAYS (Simex patented). Self-levelling to the work surface ensures constant milling depth in any condition, regardless of ground contour or the position of the attachment with respect to the prime mover. The planer lateral slides automatically align to the milling surface on which they rest to provide maximum stability.

Hydraulic side shift for use in central or lateral position, to the right side.

Hydraulic motor in direct drive with the drum.

MILLED MATERIAL REMAINS IN THE WORK AREA: no accidental launch of material since slides perfectly adhere to work surface.

SIMEX
• patented •



GROUND STABILIZATION

Soil stabilization with lime or cement is a crucial process for improving soil sub-layers before compacting and paving. Stabilization involves using soil already present on site, adding the most suitable binder for soil characteristics, without removing and disposing material. The end result is a substantial improvement on the geotechnical characteristics of the existing soil, increasing its bearing capacity. The soil, mixed with the binder, becomes less sensitive to the action of atmospheric agents.

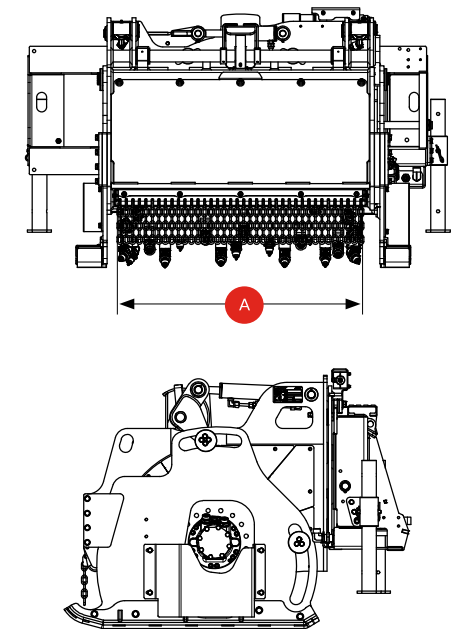
DOWNLOAD THE UPDATED TECHNICAL BROCHURE

Scan the QR code using your smartphone



TECHNICAL DATA

		PL 60.25	PL 100.25
STANDARD DRUMS			
Width	A mm inch	600 24	1000 40
Depth	mm inch	0 - 250 0 - 10	0 - 220 0 - 8.5
SPECIAL DRUMS			
Max. depth	mm inch	-	250 10
Depth adjustment		independent right and left, mechanical/hydraulic (optional)	
Side shift		Hydraulic	
Transverse tilt		Autom./Hydraulic (optional)	
Tilt		16°	16°
Weight standard version (1)	kg lbs	1200 2640	1650 3630
Required oil flow	l/min gpm	110 - 170 29 - 45	120 - 190 32 - 50
Maximum oil pressure	BAR psi	310 4500	310 4500



(1) The installer is responsible for ensuring that the equipment meets the prime mover's specifications and weight requirement. Simex does not accept responsibility or liability for the information provided. Technical modifications may vary without prior notice.

PL 100.25. Preparation of substrate for later construction of a concrete yard.



PL 100.25. Mixing and tillage of farmland



PL 100.25. Lime soil stabilization for structural consolidation of road.



PL 100.25. Milled channel after mixing with lime for later compaction.

