

ST



SSL Standard Flow



SSL High Flow



SSL High Power



Front Loader

ASPHALT FLOAT

ST 200

ST asphalt floats are designed to lay asphalt or waste material to fill set-section trenches, create footpaths or widen existing roadways. The lateral slides take the existing surface as reference, whereas the thickness of the asphalt spread can be regulated. The floating transverse tilt can be locked in case a slide does not touch the ground.

WATCH THE VIDEO

Scan the QR code using your smartphone





VERSATILITY: OFFSET WORKING POSITION

In road repairs as well as in the final stages of laying underground utilities, using asphalt floats to spread bituminous conglomerate or waste material brings significant benefits in terms of processing times and quality of the final result. Thanks to the hydraulic side shift, the ST 200 asphalt float allows working completely on the side of the machine without having to go over the material just spread.

DOWNLOAD THE UPDATED TECHNICAL BROCHURE

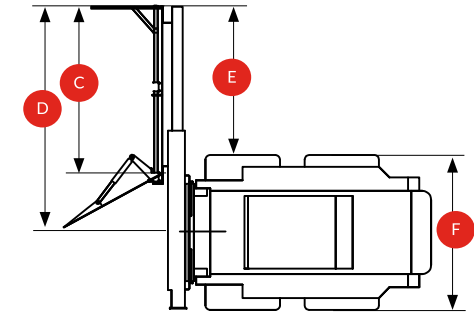
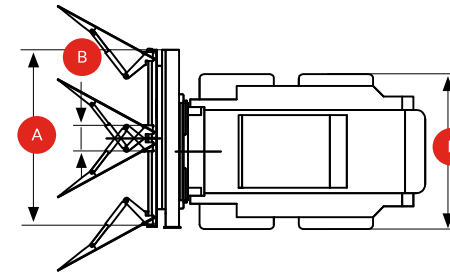
Scan the QR code using your smartphone



TECHNICAL DATA

ST 200

Asphalt laying width regulation		Hydraulic
Asphalt thickness regulation (independent RH-LH)		mechanical
Asphalt thickness	mm inch	0 - 100 0 - 4
Transverse tilt		5°
Tilt locking device		yes
Side shift		hydraulic
Average working speed	m/min feet/min	50 - 120 170 - 400
Operating weight (1)	kg lbs	675 1485
Required oil flow	l/min gpm	45 12
Oil pressure	BAR psi	200 2900



A	mm inch	1900 75
B	mm inch	125 5
C	mm inch	1960 77

D	mm inch	2550 100
E	mm inch	1675 66
F	mm inch	1750 69

(1) The installer is responsible for ensuring that the equipment meets the prime mover's specifications and weight requirement.

(*) Optional

Simex does not accept responsibility or liability for the information provided. Technical modifications may vary without prior notice.

ST 200. Additional external slide allows working on quays.

