

T TA



SSL High Flow



SSL High Power



Front Loader

WHEEL SAWS

T 200 | T 300 | TA 300 | T 450 | T600 | T 800

WATCH THE VIDEO

Scan the QR code using your smartphone



Nebulizer for reducing dust emission (optional)

SIDE DISCHARGE OF MATERIAL The special design of outlets ensures the correct expulsion of the milled material, leaving the trench cleared at the set depth.

Hydraulic depth adjustment (starting from T 450).

PERFORMER

Performer (Simex patented): allows the operator to optimize the equipment's performance according to the forward speed of the operating machine.

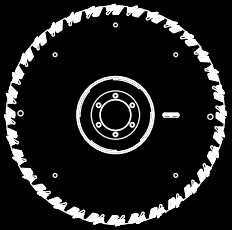
Hydraulic side shift

Cutting disks for widths from 25 to 250 mm, and depths from 150 to 800 mm.

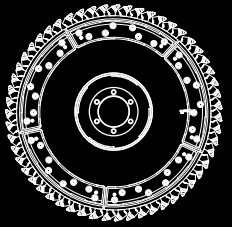
SEGMENTED DISK (Only T450S and T600S models). Disk with removable, interchangeable segments allows quick variation of the trench width while maintaining the same base wheel.

Designed for set-section trenches on hard and compact surfaces such as asphalt, cement and rock, the T and TA wheel saws for skid steer mounting offer cutting and trenching options for depths from 150 to 800 mm, and for widths from 25 to 250 mm.

AVAILABLE WHEELS:



STANDARD WHEEL



SEGMENTED WHEEL

STANDARD TEETH FOR ASPHALT CEMENT AND ROCK



For wheel widths between 25 and 30 mm

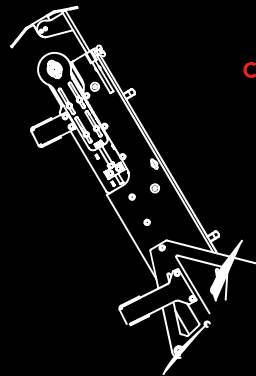


For wheel widths between 40 and 50 mm



For wheel widths 80 mm or greater

OPTIONALS



CONVEYOR BELT



ASPIRATION KIT



T 200 in special configuration.
Micro-trench for laying fibre optic cables.



T 800. Full depth trench (800 mm) for later laying of water pipelines.



TA 300. The hydraulic lateral tilt allows keeping wheel saw always vertical even when prime mover is straddling the footpath.



T 600. Set-section trench for laying underground utilities at 600 mm depth.



T 300. Construction of micro-trench with 25 mm wide disk.



T 450. Set-section trench, 450 mm deep and 160 mm wide.



T 600. Trench excavation in tunnel for later laying of underground utilities.

MINI- AND MICRO-TRENCHING

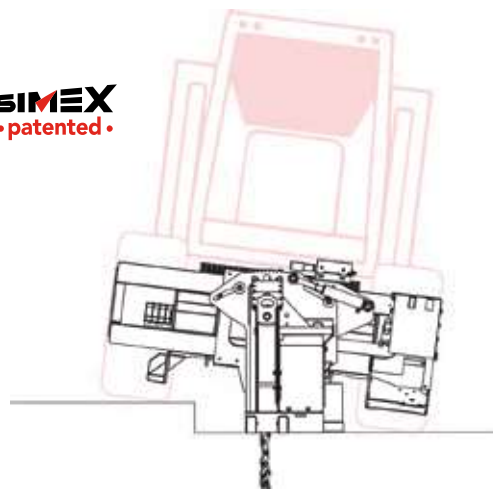
Unlike with conventional trenching, mini- and micro-trenching are much faster, with much lower production of waste material, considerably lower restoration times and costs. Within the T range, Simex offers models T 200, T 300 and TA 300 for mini- and micro-trenches specifically to install fibre optic cables in final connections to buildings.



HYDRAULIC LATERAL TILT

The TA 300 model is fitted with hydraulic lateral tilt, which allows keeping wheel saw always vertical, even when prime mover is not parallel to the road surface, as in the case of trenching near kerbs.

SIMEX
•patented•



THE T800 MODEL: FOR HIGH HYDRAULIC POWER

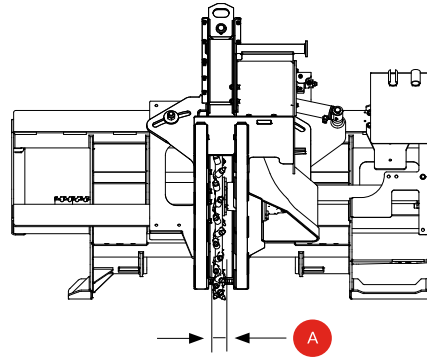
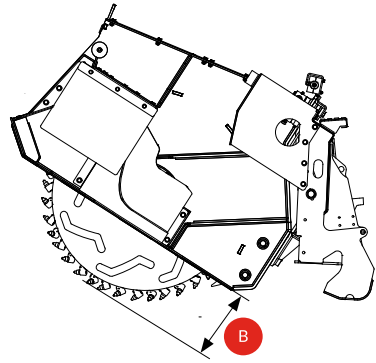
The T800 is fitted with a built-in motor that enters the trench, to reach depths of up to 800 mm. This is also the only model that works in reverse.



TRENCH CLEARING DEVICE

The trench clearing device consists of a hydraulically-operated blade that ensures the correct expulsion of material, preparing the trench for laying underground utilities.





DOWNLOAD THE UPDATED TECHNICAL BROCHURE

Scan the QR code using your smartphone



TECHNICAL DATA			T 200	T 300	TA 300	T 450 (S*)	T 600 (S*)	T 800
Trench width	A	mm inch	25 - 30 - 40 - 50 1 - 1.2 - 1.6 - 2	25 - 30 - 50 - 80 1 - 1.2 - 1.6 - 3.2	25 - 30 - 50 - 80 1 - 1.2 - 1.6 - 3.2	50 - 80 - 100 - 130 - 160 - 200 1.6 - 3.2 - 4 - 5 - 6.3 - 8	80 - 100 - 130 - 160 - 200 3.2 - 4 - 5 - 6.3 - 8	250 10
Trench depth	B	mm inch	200 8	300 12	300 12	150 - 450 6 - 17	200 - 600 8 - 24	450 - 800 17 - 31
Depth adjustments			-	-	-	Hydraulic	Hydraulic	Hydraulic
Side shift			Mechanical	Hydraulic	Hydraulic	Hydraulic	Hydraulic	Hydraulic
Trench clearing device			-	☐	☐	☐	☐	-
Conveyor belt			-	-	☐	☐	-	-
Lateral tilt			-	-	●	-	-	-
Segmented wheel			-	-	-	☐	☐	-
Aspiration device			-	☐	☐	☐	☐	-
Operating weight with standard wheel (1)		kg lbs	270 600	665 1460	845 1860	1115 2450	1340 2950	1430 3150
Required oil flow		l/min gpm	35 - 75 9 - 20	60 - 115 16 - 30	60 - 115 16 - 30	100 - 160 27 - 42	110 - 170 29 - 45	110 - 170 29 - 45
Maximum oil pressure		BAR psi	250 3625	300 4350	300 4350	300 4350	300 4350	300 4350

● Standard ☐ Upon request

1) The installer is responsible for ensuring that the equipment meets the prime mover's specifications and weight requirement.

2) Only for models T450 S and T600 S.

*) Fitted with segmented wheels.

Simex does not accept responsibility or liability for the information provided.
Technical modifications may vary without prior notice.