

# VSU



20 - 45 TON

## UNIVERSAL SCREENING BUCKETS

VSU 30 | VSU 40

Designed for separating different-sized materials directly on the work site, Simex VSU screening buckets may be mounted on either excavator boom or front loader via a special frame, and are unique for their easy loading, very simple operation and high productivity.

WATCH THE VIDEO

Scan the QR code using your smartphone

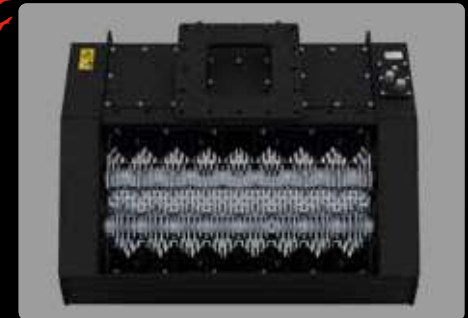


### DOUBLE COUPLING

Mounted on either excavator boom or front loader.



Screening elements, in different shapes and sizes, ensure intense whirling of input material.



Fitted with FIT, special screening tools that allow for many configurations and low maintenance costs.



### FIT: THE NEW, PATENTED SCREENING TOOLS

The VSU universal screening buckets are fitted with the patented FIT tool system, which is modular and interchangeable and allows multiple configurations depending on the materials to be screened. Tools are easily and quickly replaced, thanks to interlocking elements with no welding, which means saving up to 75% in maintenance costs.

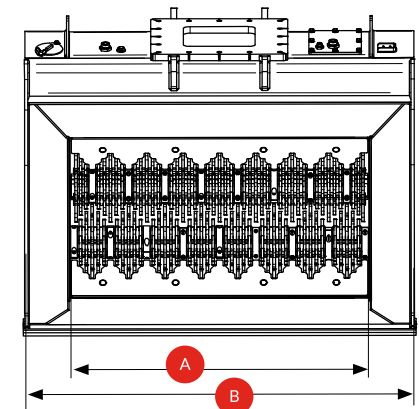
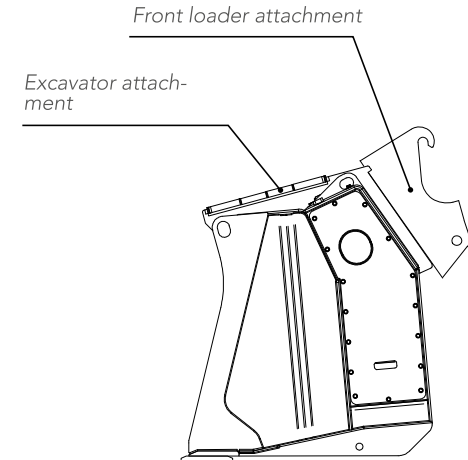


Simex offers 4 configurations depending on the materials to be screened.

- 1 - The **recycling configuration** is indicated for dry soils, for backfilling excavations and for separating waste demolition material.
- 2 - The **disgregation configuration**, with central grappling hook, provides light crushing of demolition waste or damp or clumped topsoil.
- 3 - The **mixed configuration** is specific for screening topsoil, even humid or wet, for the agricultural and horticultural sector.
- 4 - The **aggressive configuration**, "full-bladed", was created to handle more compact materials, whether of plant origin, or demolition waste debris, where in addition to separation some light crushing is also required.

DOWNLOAD THE UPDATED TECHNICAL BROCHURE

Scan the QR code using your smartphone



TECHNICAL DATA		VSU 30	VSU 40
Recommended excavator weight	ton lbs	20 - 30 35000 - 66000	30 - 45 66000 - 100000
Mouth width	<b>A</b> mm inch	1700 67	1700 67
Total width	<b>B</b> mm inch	1750 69	1750 69
Bucket capacity (SAE)	m <sup>3</sup> yd <sup>3</sup>	1 1.3	1.8 2.85
Screening area	m <sup>2</sup> yd <sup>2</sup>	0.98 1.17	1.3 1.55
Available sizes *	mm inch	0 ÷ 15, 0 ÷ 45 0 ÷ 0.6, 0 ÷ 1.8	0 ÷ 15, 0 ÷ 45 0 ÷ 0.6, 0 ÷ 1.8
Number of screening shafts	no.	2	3
Operating weight	kg lbs	1735 3825	2750 6050
Required oil flow	l/min gpm	165 - 220 44 - 58	165 - 220 44 - 58
Maximum oil pressure	BAR psi	250 3625	250 3625

\* Fixed-shaft screening bucket: to change size, simply replace tools

Simex does not accept responsibility or liability for the information provided. Technical modifications may vary without prior notice.